



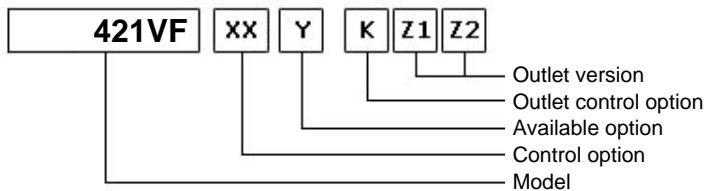
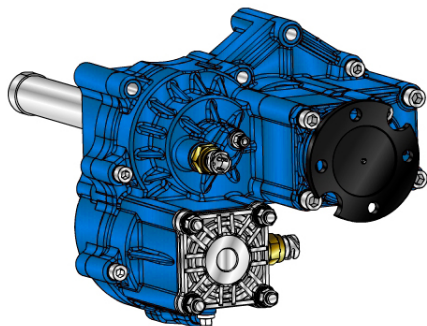
# PZB®

D01P-0-03 - Pagina WebPTO PZB - rev. 0

## 421VF



### #PTO POS. H. D. D.U. VOLVO VT CON RETARDER

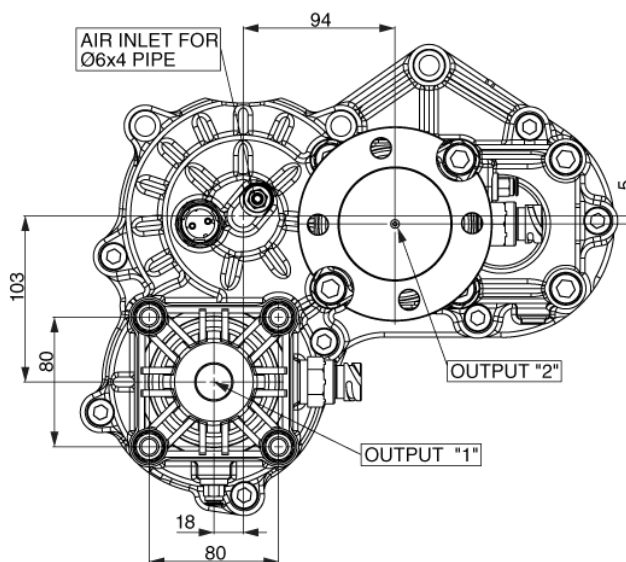
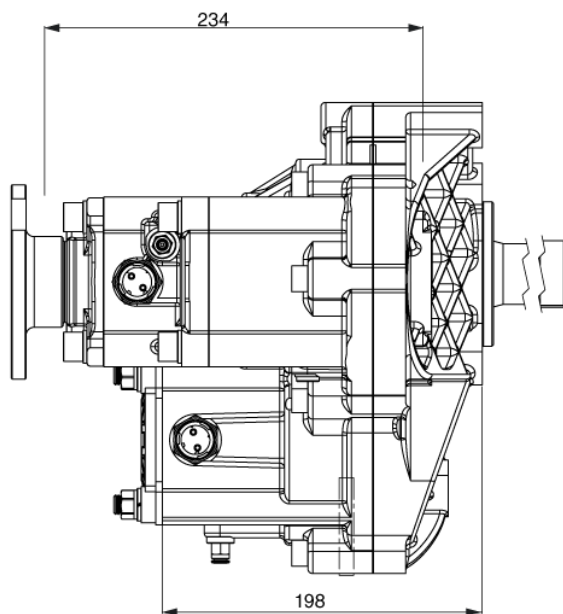


	<b>Output 1</b>	<b>Output 2</b>	<b>Number of teeth</b>	12
<b>Torque (Nm)</b>	800	500	<b>Module</b>	3,25
<b>Int. ratio</b>	1,45	1,94	<b>Replace</b>	904
<b>Number of axles</b>	2	2	<b>Replaced by</b>	

31/01/2014

### Command type

- Mechanical with lever remote control (TC)
- Ready for electric solenoid control
- Mechanical with PUSH-PULL remote control
- Hydraulic control
- Depressure control
- Electric control KES 5
- Pneumatic
- Constantly engaged
- Ready for detached control



VEHICLE MOTION DIRECTION

