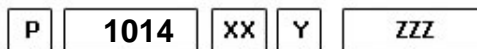
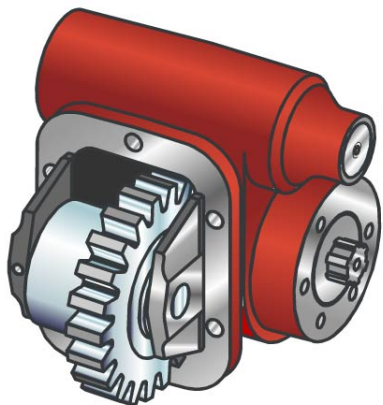




#PTO LAT. L. D. IVECO 80.101.0 E90 LATER.



Outlet version
 Available option
 Control option
 Model
 PTO

	Output 1		Number of teeth	25
Torque (Nm)	250		Module	4,233
Int. ratio	1,3889		Replace	
Number of axles	2		Replaced by	

Command type

Electric
 Hydraulic
 Mechanical
 Fixed engagement
 Pneumatic
 Vacuum system

