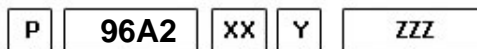
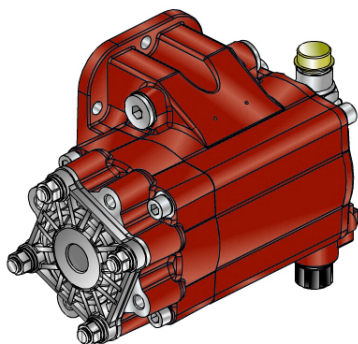




#PTO LAT. H. D. ALLISON S2000



- Outlet version
- Available option
- Control option
- Model
- PTO

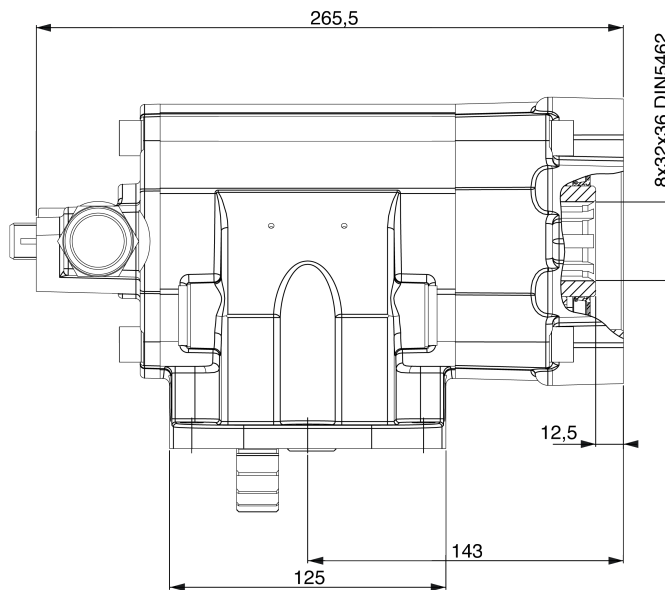
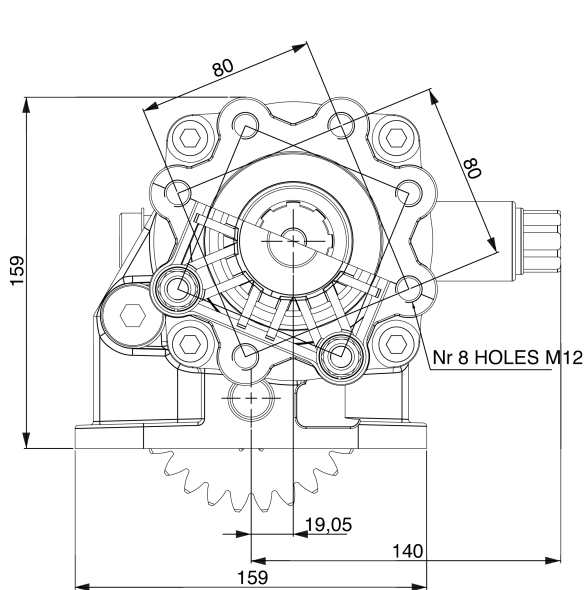
	Output 1	
Torque (Nm)	250	
Int. ratio	0,51	
Number of axles	2	

Number of teeth	26
Module	3,7
Replace	1542
Replaced by	

18/03/2013

Command type

Electric
 Hydraulic
 Mechanical
 Fixed engagement
 Pneumatic
 Vacuum system



VEHICLE MOTION DIRECTION

