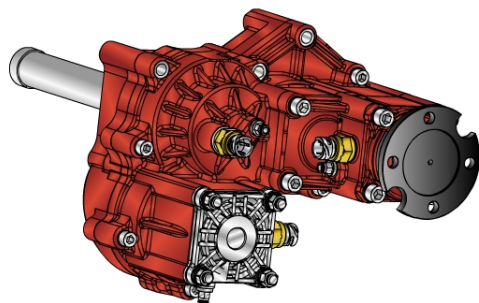




### #PTO POS. H. D. D.U. VOLVO VT C



**P** **90VG** **XX** **Y** **K** **Z1** **Z2**

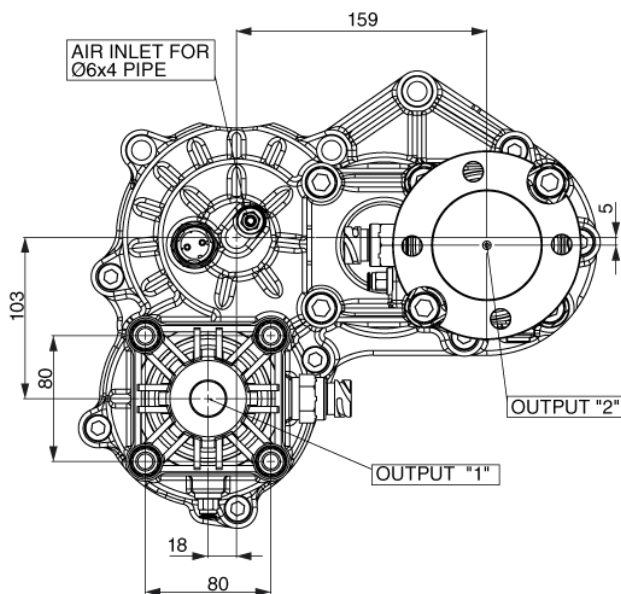
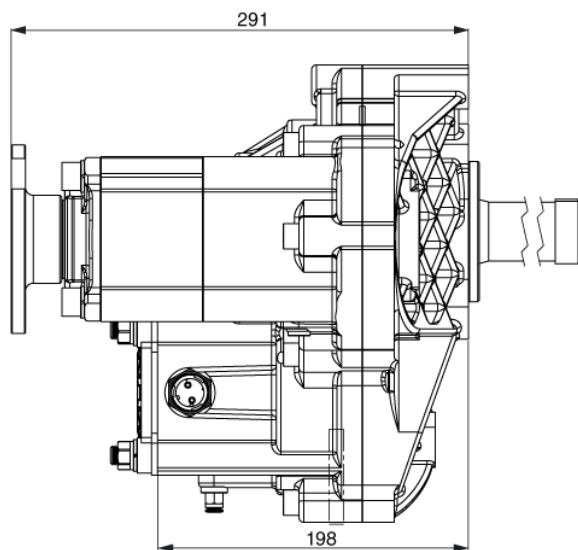
- Outlet version
- Outlet control option
- Available option
- Control option
- Model
- PTO

	<b>Output 1</b>	<b>Output 2</b>	<b>Number of teeth</b>	12
<b>Torque (Nm)</b>	800	500	<b>Module</b>	3,25
<b>Int. ratio</b>	1,45	1,94	<b>Replace</b>	904
<b>Number of axles</b>	2	3	<b>Replaced by</b>	

31/01/2014

### Command type

Electric     
  Hydraulic     
  Mechanical     
  Fixed engagement     
  Pneumatic     
  Vacuum system



VEHICLE MOTION DIRECTION

