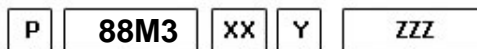
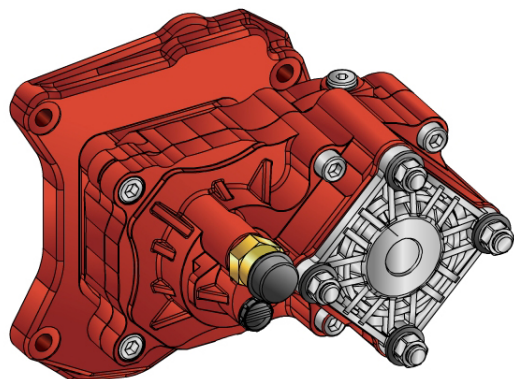




### #PTO POS. MERCEDES G240 (ACTROS)



Outlet version  
Available option  
Control option  
Model  
PTO

	<b>Output 1</b>		<b>Number of teeth</b>	12
<b>Torque (Nm)</b>	500		<b>Module</b>	3
<b>Int. ratio</b>	1,32		<b>Replace</b>	
<b>Number of axles</b>	2		<b>Replaced by</b>	

22/03/2011

### Command type

Electric     
  Hydraulic     
  Mechanical     
  Fixed engagement     
  Pneumatic     
  Vacuum system

