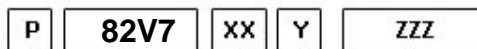
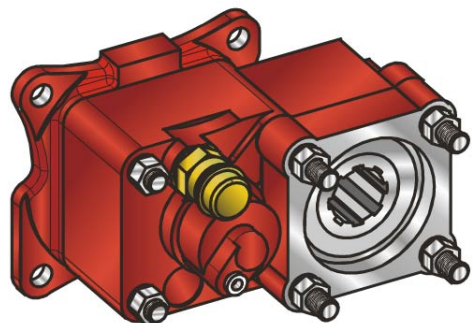




#PTO POS. L. D. VOLVO VT CON RETARD.



Outlet version
 Available option
 Control option
 Model
 PTO

	Output 1	
Torque (Nm)	300	
Int. ratio	1,32	
Number of axles	2	

Number of teeth	12
Module	3,25
Replace	865
Replaced by	

28/02/2006

Command type

- Electric
 Hydraulic
 Mechanical
 Fixed engagement
 Pneumatic
 Vacuum system

