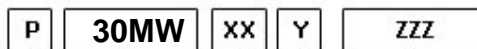
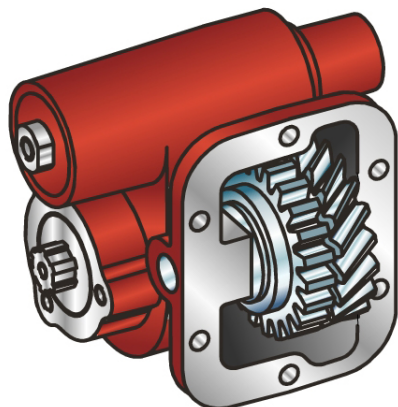




#PTO LAT. L. D. MITSUBISHI M12S5



Outlet version
 Available option
 Control option
 Model
 PTO

	Output 1		Number of teeth	16
Torque (Nm)	250		Module	5,5
Int. ratio	1,11		Replace	
Number of axles	2		Replaced by	

03/04/2008

Command type

- Electric
 Hydraulic
 Mechanical
 Fixed engagement
 Pneumatic
 Vacuum system



SENSO DI MARCIA
VEHICLE MOTION DIRECTION

