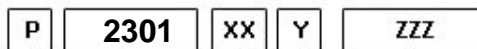
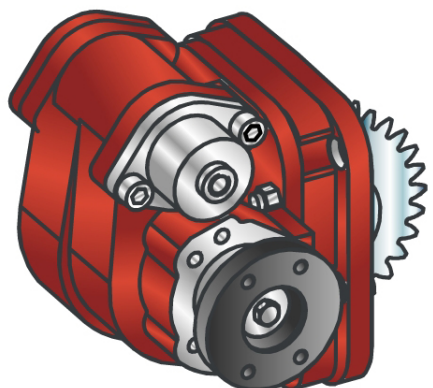




#PTO LAT. L. D. NISSAN MPS 62



Outlet version
Available option
Control option
Model
PTO

	Output 1		Number of teeth	21
Torque (Nm)	280		Module	4
Int. ratio	1,05		Replace	
Number of axles	2		Replaced by	

Command type

Electric
 Hydraulic
 Mechanical
 Fixed engagement
 Pneumatic
 Vacuum system

